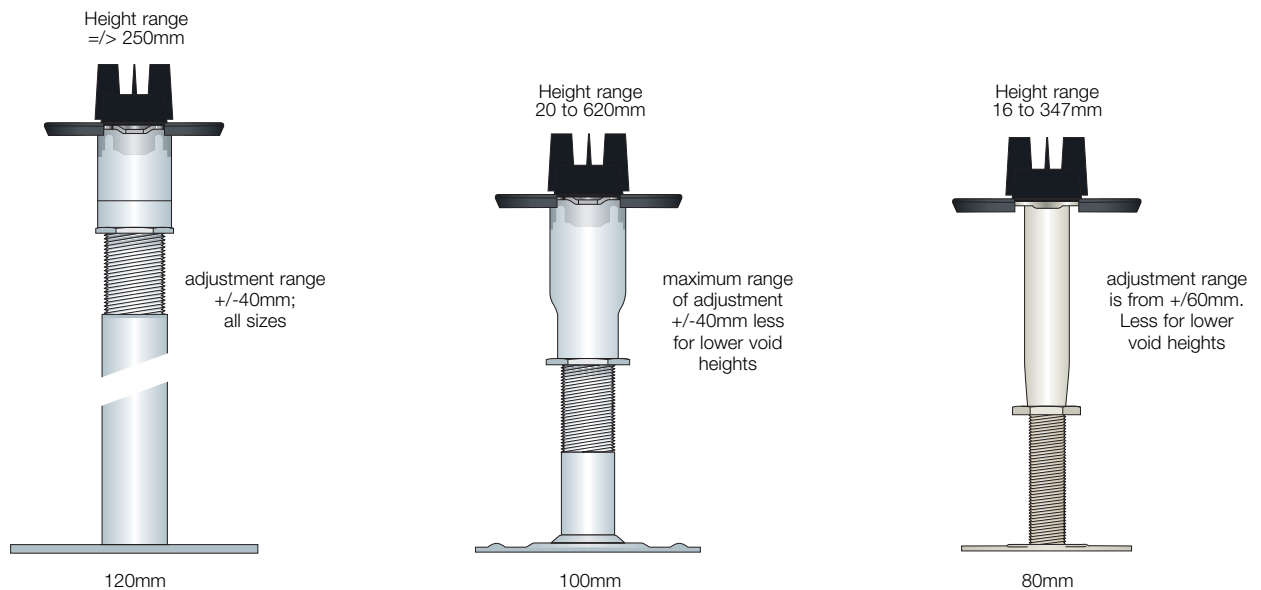


## Data Sheet: Pedestals

These pedestals are for use with the full range of Kingspan raised access flooring systems. All pedestals incorporate the following features:-

- Zinc plated steel construction; alternative finishes are available on request
- Pre assembled to help minimise installation time
- Locking nut to ensure that once adjusted and locked there is no movement in the pedestal head
- Steel construction ensures electrical continuity is maintained
- Wide range of finished floor heights using standard pedestals; from 50mm to 2000mm
- Range of adjustment on many pedestals is a nominal +/-40mm; less on the lower void heights
- Pedestal head caps provide positive panel location whilst maintaining electrical continuity with the pedestal base where earth connections can be provided
- All pedestals have a 90mm diameter head permitting the use of a range of caps to suit specific applications
- The head of the pedestals is designed to accept a range of support stringers which may be clip in or bolted dependent upon application

### Common head diameter for all pedestals is 90mm



Alpha III Pedestal fully complies with heavy and extra heavy grade requirements of the PSA MOB PF2 PS/SPU specification

Alpha V Pedestal fully complies with up to heavy grade requirements of the PSA MOB PF2 PS/SPU specification

Europed Pedestal fully complies with the requirements of BSEN 12825

When considering pedestal height allowance must be made for cap thickness and adhesive layer; in general an allowance of 5mm should be made.

## Data Sheet: Pedestals

### Recommended Pedestal Selection

Pedestal	Specification	Use with the following panels	Height for stringers application
Europed	BSEN 12825	D Lock 30/38	NA
	Euro code	Acoustideck 25/30/38	NA
	BSEN 12825	RG2/RG3	NA
	BSEN 12825	FDEB1	NA
	BSEN 12825 Euro Code	TL3 C-Dec 30/38	Air seal only NA
Alpha 5	PSA MOB...	RLG, RMG, DRF	≥600mm
	PSA MOB...	TorLock	Air seal only
	PSA MOB...	FDEB 30/38	≥450mm/All (structural)
	BSEN 12825	RG5/RG6	≥600mm
	BSEN 12825 BSEN 12825	TL5 FDEB 4/6	Air seal only ≥450mm
Alpha 3	PSA MOB...	RLG, RMG, DRF	≥600mm
	PSA MOB...	DRF Extra Heavy	All (2.5mm box)
	PSA MOB...	TorLock	Air seal only
	PSA MOB...	FDEB 30/38	≥450mm/All (structural)
	PSA MOB...	FDEB 38 Extra Heavy	All (2.5mm box)
	BSEN 12825	CS 600	All (structural)
	BSEN 12825	FDEB 4/6	≥450mm
	BSEN 12825	TL5	Air seal only

- Where a stringer is recommended for system heights ≥450mm and ≥600mm the light clip on stringer is provided only to aid stability at installation; it is not a requirement to achieve system load rating.
- For FDEB 38 the structural stringer must be employed at all heights.
- For Extra Heavy rating the box stringer must be employed with the correct version of the Alpha 3 pedestal.

Where a requirement for zinc whisker free is specified nickel plated versions are available to special order.

For applications not covered by this data sheet please contact :info@kingspanaccessfloors.co.uk

